

PipeFitPro™ V5 [2010]



Phone North America 1.866.503.4415 / International + 1.866.503.4415

Download PipeFitPro at <http://www.s9design.com/downloads.htm>

Add a new dimension to AutoCAD

PipeFitPro is your solution to piping design.

With over 9 years of development and innovation, PipeFitPro has become an essential tool in plant design for various industries: oil, gas, mining, pharmaceutical, food/beverages, dairy, HVAC, marine, construction, fabrication, civil, water treatment, power, space, refrigeration & nuclear.

PipeFitPro has a unique toolbar interface that will create and enhance your piping experience. It provides CAD professionals powerful tools to plan and detail process piping. Designers can **draw pipes, fittings, flanges and various piping details** with ease and simplicity.

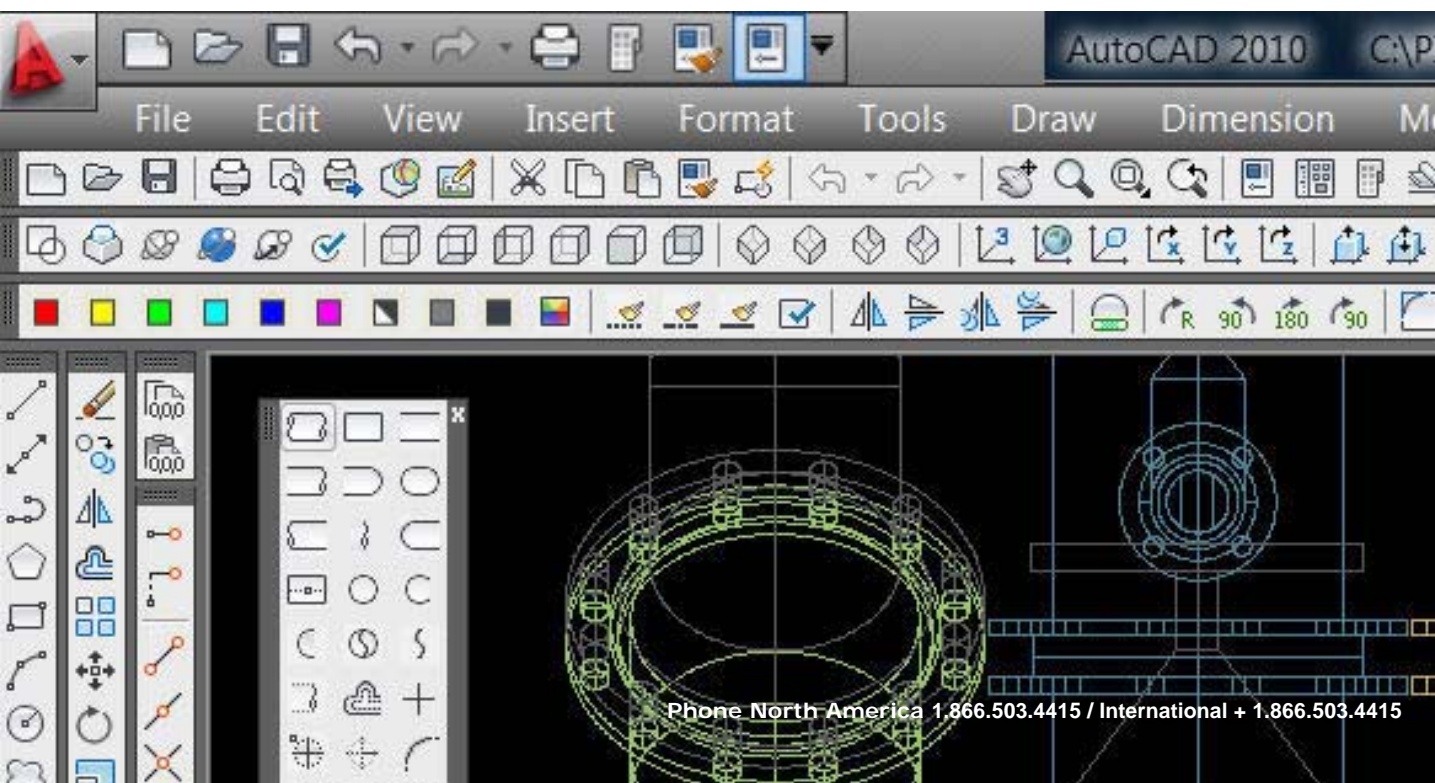
PipeFitPro V5 Features:

- Clear toolbars and intuitive commands
- Extensive pipe drawing routines
- Piping symbols
- ANSI fittings and flanges
- Customizable commands with presets
- Identical 2D & 3D commands
- Various productivity tools
- AutoCAD 2000 – 2010 compatible
- Easy to install and maintain
- Add custom blocks and details easily
- Valve allowance with presets

PipeFitPro is designed to save you time, save money and increase accuracy every time you use AutoCAD.

See how PipeFitPro will add a new dimension to your AutoCAD by downloading a 30-day fully functional version at:

s9design.com/downloads.htm



Back to Basics

With today's vast array of CAD software, we can lose sight of the bigger picture. High end CAD software and clever marketing make designers believe they should be using elaborate 3D software to increase productivity.

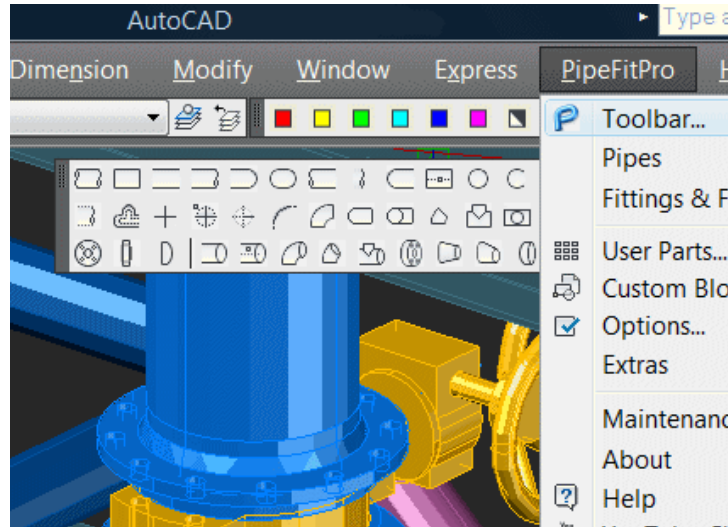
PipeFitPro V5 makes it easier to create drawings, and provides useful functions that save time everyday, in 2D or 3D, using AutoCAD versions 2000 to 2010.

Various drafting tasks are cut from minutes to seconds and commands are stable and straight forward, ensuring the drawing details you make are precise and easy to understand. With PipeFitPro loaded in AutoCAD, you will see the difference and notice the added benefits in the drawings you prepare, archive and send to clients.

Best of all, you'll have peace of mind of knowing exactly what is going into every drawing – no unstable objects, just standard AutoCAD lines, polylines, arcs, ellipses, 3D Solids and blocks.

PipeFitPro is offered in two versions:

- **Basic** - provides 2D piping tools with layer and construction line utilities.
- **Full** - provides 2D piping tools with layer and construction line utilities & 3D piping plus all productivity utilities.

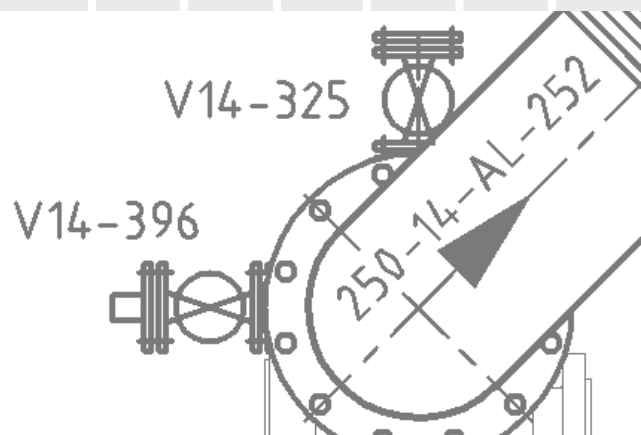


Get started from \$145

PipeFitPro V5 Basic includes 2D piping tools, layer tools and construction tools.

Multiple User Discount

License Quantity	1	2-3	4-5	6-9	10-14	15+
Discount %	-	10%	15%	20%	25%	30%
PipeFitPro Basic Version \$US each	145	130	123	116	108	101
PipeFitPro Full Version \$US each	395	355	335	316	296	276



Saving time and money with PipeFitPro

PipeFitPro includes thousands of piping fittings and flanges, plus various productivity tools and utilities.

- Pipes, Flanges & Fittings to Imperial Sizes NPS ½"-36"
- Pipes, Flanges & Fittings to Metric Sizes DN 15-900
- ANSI B36.9 90° Long Radius Elbow
- ANSI B36.9 45° Long Radius Elbow
- ANSI B36.9 90° Short Radius Elbows
- ANSI B16.9 Tees Equal and Reducing
- ANSI B16.9 Reducers Concentric & Eccentric
- ANSI B16.9 Caps
- ANSI B16.5 Slip-on Flanges
- ANSI B16.5 Weld Neck Flanges
- ANSI B16.5 Socket Weld Flanges
- ANSI B16.5 Blind Flanges
- ANSI B16.5 Threaded Flanges
- ANSI B16.5 Lapped Flanges
- ANSI Flanges Class 150 to 2500
- ANSI Flanges PN 20 to PN 420
- ANSI B36.10 Pipes point to point
- Convert lines, arcs and polylines to pipes
- All piping commands are available in 2D & 3D.
- All piping commands are customizable with presets.
- Save and re-use details with PipeFitPro *User Parts*.
- Inserts and file details automatically with *Custom Blocks*.
- Gasket and valve allowance for flanges.
- Plate flanges with automatic mirror & copy
- Comprehensive help and user documentation.
- Open toolbars using pull down menu.
- Pipe centre line functions.
- AutoCAD editing commands can be used
- PipeFitPro V5 Extras include previously released programs

Priority Support

Purchases of PipeFitPro V5 receive priority support which includes a free 2 year unconditional upgrade to the latest version. For example if you move to a newer version of AutoCAD any time in the 2 years from purchase, we'll provide a free upgrade, registration and activation code to ensure you'll be up to date. Email support is also included for 2 years from purchase, providing you with our quickest and best response to any technical queries.

PipeFitPro V5 License Comparison

Features	Basic	Full
2D Piping, Flanges & Fittings	•	•
3D Piping, Flanges & Fittings		•
Customizable Pipes Sizes	•	•
Customizable Fittings & Flanges	•	•
User Parts	•	•
Custom Blocks	•	•
3D Tools Toolbar (Custom and enhanced 3D commands)		•
BOM (AutoList) Toolbar		•
Colors, Modify & Set Toolbar		•
Construction Lines (normal lines) Toolbar	•	•
Copy & Paste WCS to 0,0,0 Toolbar		•
Draw (Bolt Holes) Toolbar		•
1 click Hatch Presets Toolbar		•
Create, Modify and Set Layers Toolbar	•	•
MyPartz (detail filing utility) Toolbar		•
PerfectPlot (1 click printing) Toolbar		•
QuickText (Annotation utility) Toolbar		•
2D Segmented Bends Toolbar	•	•
View (Viewports, save and restore) Toolbar		•

System Requirements

- AutoCAD & AutoCAD Based Products, Versions 2000, 2000i, 2002, 2004, 2005, 2006, 2007, 2008, 2009 & 2010.
- Windows 2000/XP/Vista/7
- 10Mb of available hard-disk space.



International Language Compatible

S9® Design Software Customer Base is world wide, and our computer programs can be used on international (non-English) versions of AutoCAD and Windows.

Ongoing Updates & Development

We continuously test and fine tune all programs for smooth running and to ensure compatibility with the latest AutoCAD and Windows. We're committed to help customers maintain a competitive advantage by developing intuitive programs, that can optimize your CAD system. All download updates are now available and include a detailed features list.

Phone North America 1.866.503.4415 / International + 1.866.503.4415

S9® Design Software Head Office: Melbourne Australia

ABN: 62 315 868 399 <http://www.s9design.com> email: sales@s9design.com Phone: +1 646 652 8997

Copyright ©2009 S9® All Rights Reserved. PipeFitPro is a trademark of S9®. AutoCAD is a trademark of Autodesk®